

1

2

3

4

5

6

7

8

RevNo	Revision note	Date	Signature	Checked
-------	---------------	------	-----------	---------

A

A

B

B

C

C

D

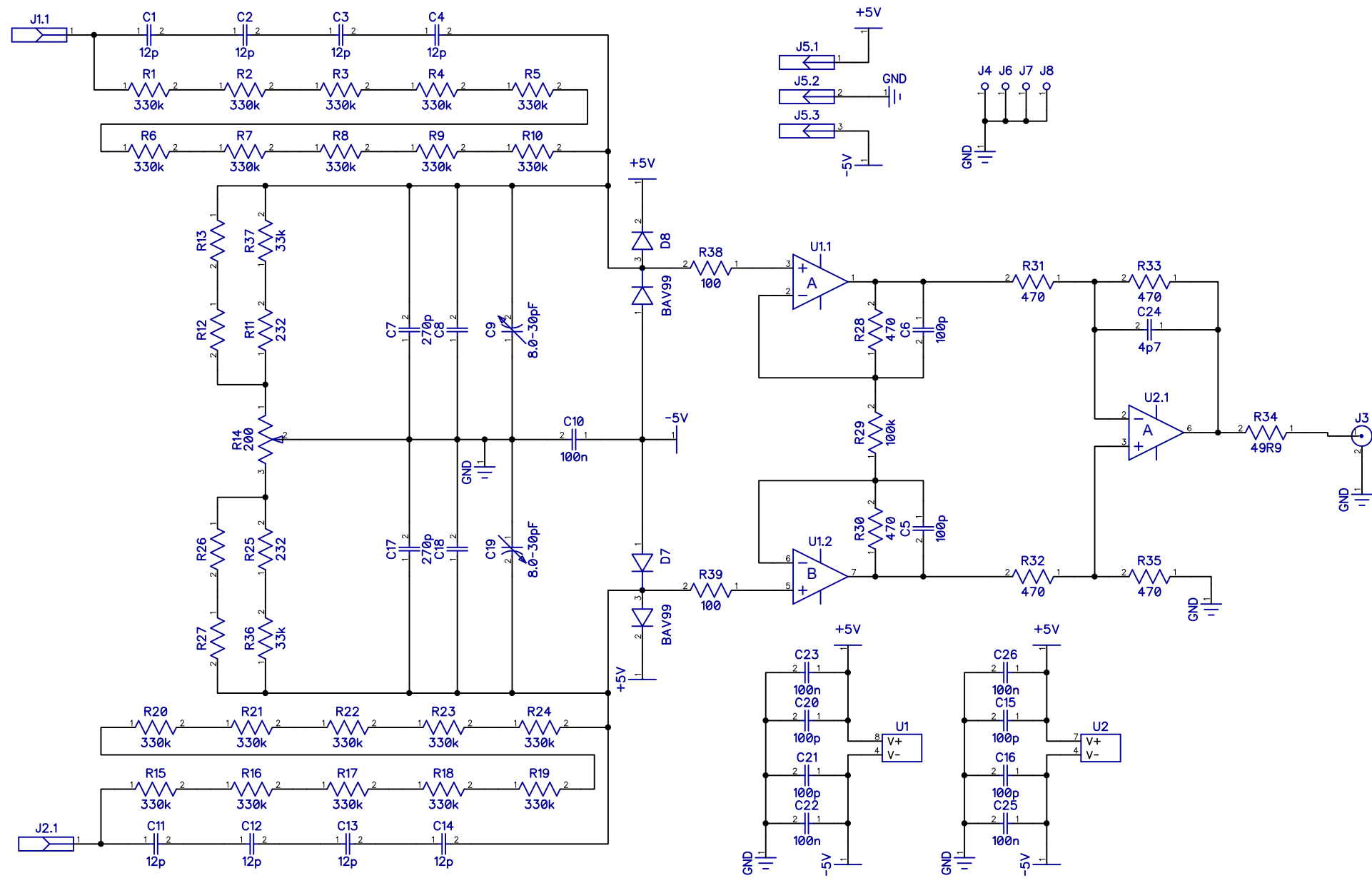
D

E

E

F

F



Itemref	Quantity	Title/Name, designation, material, dimension etc	Article No./Reference		
Designed by Kalle Hyvonen	Checked by KH		File name	Date 5.5.2015	Scale 1:1
			Edition 1.0		Sheet 1/1

1

2

3

4

5

6

7

8