

1

2

3

4

5

6

7

8

RevNo	Revision note	Date	Signature	Checked
-------	---------------	------	-----------	---------

A

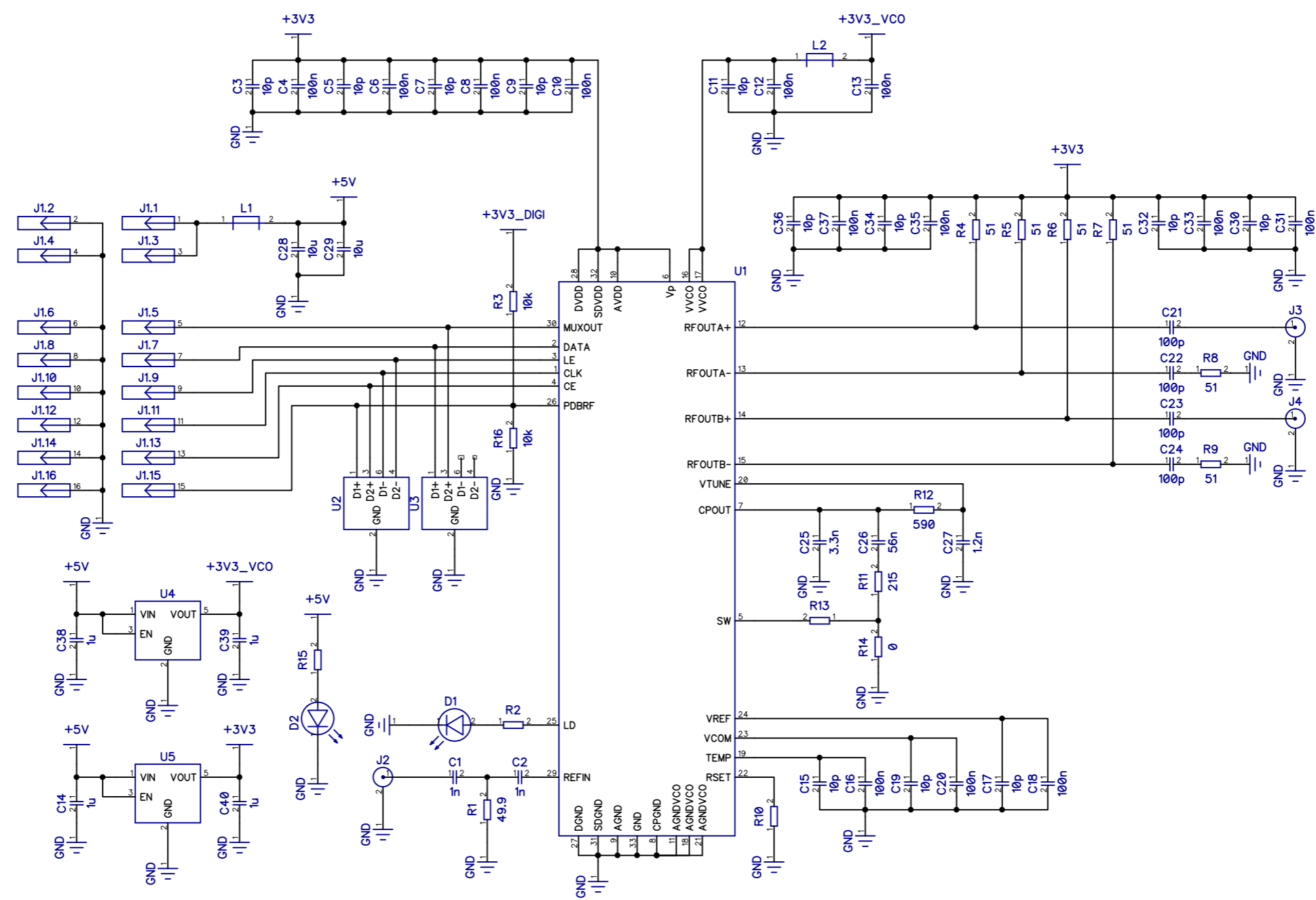
B

C

D

E

F



Itemref	Quantity	Title/Name, designation, material, dimension etc		Article No./Reference	
Designed by	Checked by	Approved by - date	File name	Date	Scale
		- 00/00/00		00/00/00	1:1
				Edition	Sheet
				0	1/1

1

2

3

4

5

6

7

8

A

B

C

D

E

F